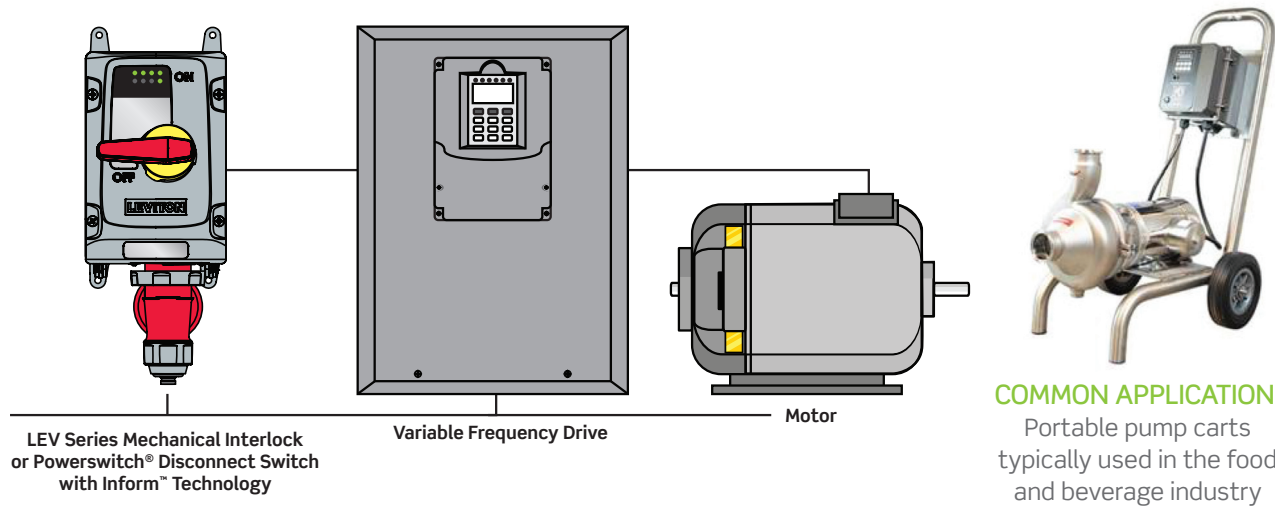


LEV Series Mechanical Interlocks and Powerswitch® Disconnect Switches with Inform™ Technology

TECHNICAL APPLICATION NOTE ON USAGE WITH VARIABLE FREQUENCY DRIVES (VFDs)

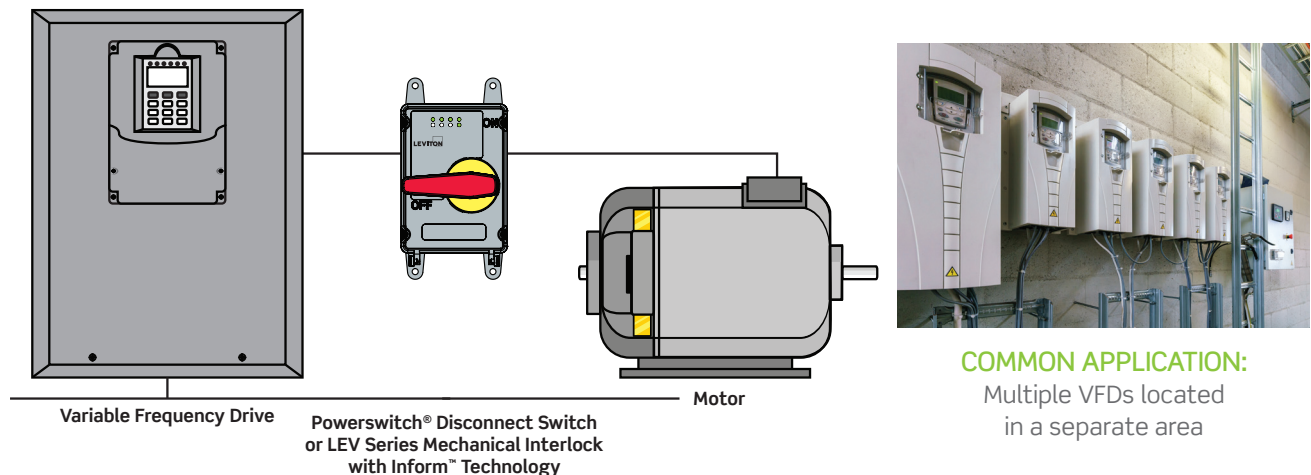
Inform features will function properly

VFD is located between the Mechanical Interlock/Disconnect Switch and the device (drive/motor/etc.)



Inform features will not work, however the device will function as normal

VFD is located before the Mechanical Interlock/Disconnect Switch



Learn more at: www.leviton.com/inform • Email: inform@leviton.com